



## INDUSTRIAL VACUUM CLEANER FOR WOOD AND PVC CHIPS

Our **WOOD LINE** is designed to guarantee maximum safety when dealing with wood chips, wood dust and sawdust.

These materials are **highly flammable and harmful to for the workers' health.**

Our vacuum cleaners allow to directly **collect the wood chips eliminating any excess dust**, which leads to a healthier and safer working environment.

The vacuums cleaners of the Wood line can be connected to woodworking machinery such as circular saws, thickness planers, grinders, calibrators, cutters, vertical panel saws.





# WOOD LINE

HI-TECH VACUUM



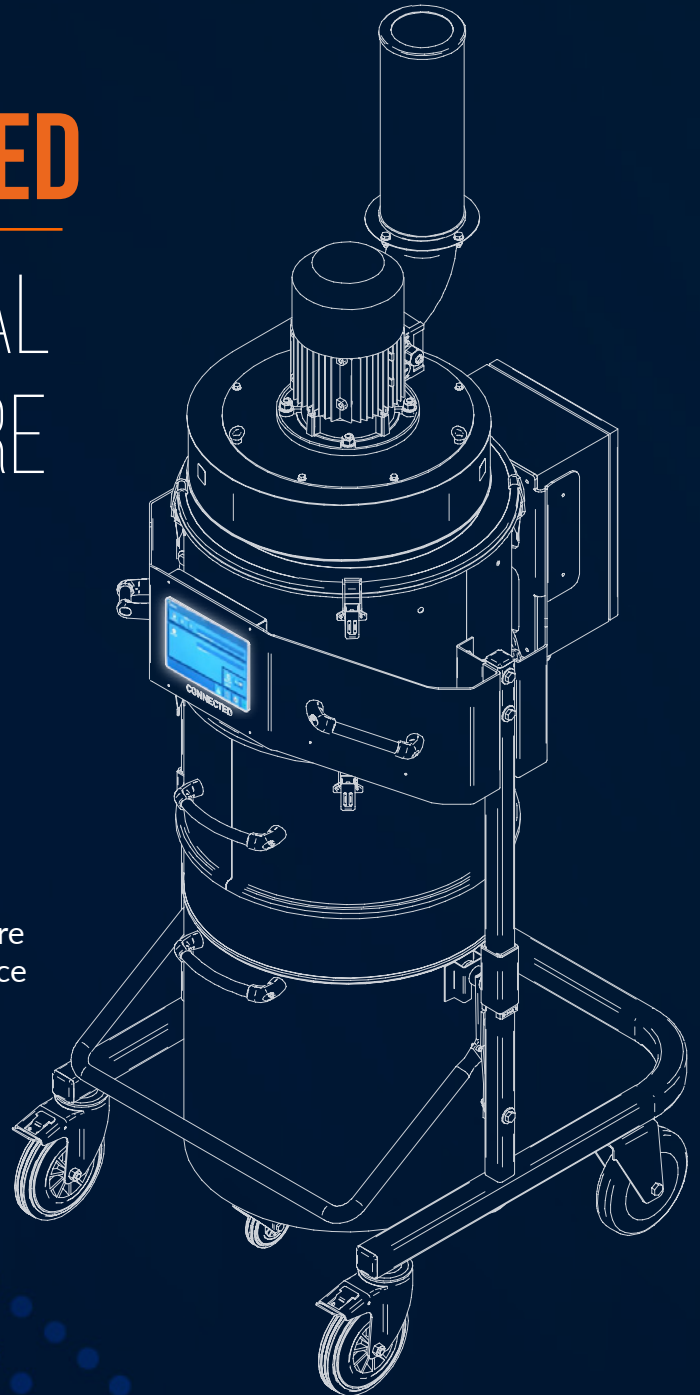


# SMART CONNECTED

THE 4TH INDUSTRIAL  
REVOLUTION IS HERE

## MODEL

- HMI with latest generation software
- Company network connection following the **4.0 INDUSTRY** parameters
- Live monitoring of functional parameters
- Predictive maintenance
- Zero risk of machine downtime
- Maximum work efficiency
- Control of the emissions into the atmosphere
- Tax benefits (according to regulations in force in the specific country)





## REMOTE MONITORING SMART CONNECTED

A simple and intuitive dashboard shows in real time the operating parameters of Smart Connected vacuum cleaners



## NO MORE MACHINE DOWNTIME

The remote monitoring is able to foresee any malfunction or maintenance to be carried out before any machine downtime occurs



## REAL-TIME ASSISTANCE

Once the problem is detected, iVision customer assistance will contact you directly to offer support



## CLEANER AIR

The double filtering stage purifies the suctioned air from the finest particles, potentially harmful to the health of operators, before releasing clean air back into the working environment

## Industrial vacuum cleaner

# WOOD 180

### INDUSTRIAL VACUUM CLEANER FOR WOOD AND PVC CHIPS

The WOOD 180 litres vacuum cleaner is mainly used to collect and capture wood and PVC dust and chips. This model is designed to work in combination with circular saws, thickness planers, grinders or calibrators, cutters and vertical panel saws. The high performance of the centrifugal fans are fully exploited guaranteeing extremely efficient suction results. Thanks to the maximum air flow rate values achieved by these vacuum cleaners, it is possible to use them on machines with very large suction diameters (200mm+). The use of puncture-resistant PVC bags facilitates the collection of chips and all extracted materials.



### WOOD 180

Product code		WO1D015	WO1D022	WO1D040
<b>POWER</b>	<b>Kw</b>	<b>1,5</b>	<b>2,2</b>	<b>4</b>
FREQUENCY	Hz	50	50	50
SUPPLY VOLTAGE <sup>1</sup>	V	400	400	400
MAXIMUM NEGATIVE PRESSURE	mbar	25	28	28
MAXIMUM AIR FLOW RATE	m <sup>3</sup> /h	2000	3000	4300
INLET DIAMETER	ømm	250	250	250
NUMBER OF INLETS	n	1	1	1
CONTAINER CAPACITY	Lt	180	180	180
SOUND PRESSURE LEVEL <small>(IEC 60704-2-1:200)</small>	dB(A)	83	83	83
DIMENSION	HxLxW cm	248*72*119	248*72*119	248*72*119
WEIGHT	Kg	95	95	110
FILTER <sup>2</sup>	-	Class M	Class M	Class M
FILTER AREA	m <sup>2</sup>	1,58	1,58	1,58

#### ACCESSORIES and OPTIONAL

Connection Kit (*fittings+clamps+tube*)

Start & stop

Collection bags

Wood Silencing kit

<sup>1</sup> Other voltages and frequencies available upon request

<sup>2</sup> Other filter media available upon request

## Industrial vacuum cleaner

# WOOD 360

### INDUSTRIAL VACUUM CLEANER FOR WOOD AND PVC CHIPS

The WOOD 360 litres vacuum cleaner is mainly used to collect and capture large volumes of wood and PVC dust and chips. This model is designed to be combined with circular saws, thickness planers, grinders or calibrators, cutters and vertical panel saws. Thanks to the maximum air flow rate values achieved by this vacuum cleaner, it is possible to use them on machines with very large suction diameters (200mm+). The use of puncture-resistant PVC bags facilitates the collection of chips and all extracted materials.



## WOOD 360

Product code		WO2D022	WO2D040
<b>POWER</b>	<b>Kw</b>	<b>2,2</b>	<b>4</b>
FREQUENCY	Hz	50	50
SUPPLY VOLTAGE <sup>1</sup>	V	400	400
MAXIMUM NEGATIVE PRESSURE	mbar	28	30
MAXIMUM AIR FLOW RATE	m <sup>3</sup> /h	3000	4300
INLET DIAMETER	ømm	250	250
NUMBER OF INLETS	n	2	2
CONTAINER CAPACITY	Lt	360	360
SOUND PRESSURE LEVEL <small>(IEC 60704-2-1:200)</small>	dB(A)	83	83
DIMENSION	HxLxW cm	248*72*172	248*72*172
WEIGHT	Kg	140	140
FILTER <sup>2</sup>	-	Class M	Class M
FILTER AREA	m <sup>2</sup>	3,16	3,16

### ACCESSORIES and OPTIONAL

Connection Kit (*fittings+clamps+tube*)

Start & stop

Collection bags

Wood Silencing kit

<sup>1</sup> Other voltages and frequencies available upon request

<sup>2</sup> Other filter media available upon request

## Industrial vacuum cleaner

**WOOD 165****INDUSTRIAL VACUUM CLEANER FOR WOOD AND PVC CHIPS**

The deduster 165 of the WOOD product line are mobile extraction units for indoor installation, due to a very compact design, and are mainly used for extracting and collecting large quantities of dust, wood and PVC chips and are designed for combination with production machines and machining centres. Their filter surface area is high and they are equipped with M-class bag filters. In addition, the compressed air filter cleaning system makes it easy to clean the filters whenever necessary, facilitating regular maintenance. WOOD 165 vacuum cleaners are also equipped with a separator unit to protect the filter area and optimise the storage of the sucked material in the collection containers, which are characterised by their large tank capacity.



Also available in the <b>SMART CONNECTED</b> version		<b>WOOD 165</b>
Product code		W11D030
<b>POWER</b>	<b>Kw</b>	<b>3</b>
FREQUENCY	Hz	50
SUPPLY VOLTAGE	V	400
MAXIMUM NEGATIVE PRESSURE	mbar	33
MAXIMUM AIR FLOW RATE	m <sup>3</sup> /h	3500
NOMINAL AIR FLOW	m <sup>3</sup> /h	1448
INLET DIAMETER	ømm	160
NUMBER OF INLETS	n	1
CONTAINER CAPACITY	Lt	165
SOUND PRESSURE LEVEL <i>(IEC 60704-2-1:200)</i>	dB(A)	71
DIMENSION	HxLxW cm	214*83*169
WEIGHT	Kg	330
FILTER	-	23 Filter Sleeves Bag Class M
FILTER AREA	m <sup>2</sup>	10,2
TYPE OF CLEANING	-	With compressed Counterflow air Pulses

**ACCESSORIES and OPTIONAL**

Connection Kit *(fitting+clamps+tube)*

Start & stop

Collection bag kit + 50 bags **included**

## Industrial vacuum cleaner

**WOOD 330****INDUSTRIAL VACUUM CLEANER FOR WOOD AND PVC CHIPS**

The deduster 330 of the WOOD product line are mobile extraction units for indoor installation, due to a very compact design, and are mainly used for extracting and collecting large quantities of dust, wood and PVC chips and are designed for combination with production machines and machining centres. Their filter surface area is high and they are equipped with M-class bag filters. In addition, the compressed air filter cleaning system makes it easy to clean the filters whenever necessary, facilitating regular maintenance. WOOD 330 vacuum cleaners are also equipped with a separator unit to protect the filter area and optimise the storage of the sucked material in the collection containers, which are characterised by their large tank capacity.



Also available in the **SMART CONNECTED** version

**WOOD 330**

Product code		W12D075
<b>POWER</b>	<b>Kw</b>	<b>7,5</b>
FREQUENCY	Hz	50
SUPPLY VOLTAGE	V	400
MAXIMUM NEGATIVE PRESSURE	mbar	25
MAXIMUM AIR FLOW RATE	m <sup>3</sup> /h	4900
NOMINAL AIR FLOW	m <sup>3</sup> /h	3534
INLET DIAMETER	ømm	250
NUMBER OF INLETS	n	1
CONTAINER CAPACITY	Lt	2*165
SOUND PRESSURE LEVEL <i>(IEC 60704-2-1:200)</i>	dB(A)	71
DIMENSION	HxLxW cm	242*105*294
WEIGHT	Kg	840
FILTER	-	50 Filter Sleeves Bag Class M
FILTER AREA	m <sup>2</sup>	30
TYPE OF CLEANING	-	With compressed Counterflow air Pulses

**ACCESSORIES and OPTIONAL**

Connection Kit *(fitting+clamps+tube)*

Start & stop

Collection bag kit + 100 bags **included**

Briquette press



## Industrial vacuum cleaner

# WOOD 495

### INDUSTRIAL VACUUM CLEANER FOR WOOD AND PVC CHIPS

The deduster 495 of the WOOD product line are mobile extraction units for indoor installation, due to a very compact design, and are mainly used for extracting and collecting large quantities of dust, wood and PVC chips and are designed for combination with production machines and machining centres. Their filter surface area is high and they are equipped with M-class bag filters. In addition, the compressed air filter cleaning system makes it easy to clean the filters whenever necessary, facilitating regular maintenance. WOOD 495 vacuum cleaners are also equipped with a separator unit to protect the filter area and optimise the storage of the sucked material in the collection containers, which are characterised by their large tank capacity. The vacuum cleaner is equipped with a fire kit that automatically intervenes if a high temperature rise is detected within the system.



Also available in the <b>SMART CONNECTED</b> version		WOOD 495
Product code		W13D110
<b>POWER</b>	<b>Kw</b>	<b>11</b>
FREQUENCY	Hz	50
SUPPLY VOLTAGE	V	400
MAXIMUM NEGATIVE PRESSURE	mbar	57
MAXIMUM AIR FLOW RATE	m <sup>3</sup> /h	8500
NOMINAL AIR FLOW	m <sup>3</sup> /h	6927
INLET DIAMETER	ømm	350
NUMBER OF INLETS	n	1
CONTAINER CAPACITY	Lt	3*165
SOUND PRESSURE LEVEL <small>(IEC 60704-2-1:200)</small>	dB(A)	71
DIMENSION	HxLxW cm	242*105*377
WEIGHT	Kg	980
FILTER	-	84 Filter Sleeves Bag Class M
FILTER AREA	m <sup>2</sup>	50
TYPE OF CLEANING	-	With compressed Counterflow air Pulses

### ACCESSORIES and OPTIONAL

Connection Kit *(fitting+clamps+tube)*

Start & stop

Collection bag kit + 100 bags **included**

Continuous discharge kit with rotovalve

Fire-retardant kit **included**

Briquette press

Industrial vacuum cleaner

## WOOD CUSTOM

### INDUSTRIAL VACUUM CLEANER FOR WOOD AND PVC CHIPS

The CUSTOM model is dedicated to intensive and continuous machining on automatic cutting centres with high chip production. Thanks to the discharge system with rotary valve it is used in all working environments where, due to production requirements, suction is required 24/7.

The vacuum cleaners can be supplied with different accessories to make work easier in large manufacturing companies. Each model has been designed, developed and assembled to meet the specific requirements of each customer, focusing above all on the realisation of a product able to work side by side with each customer's machine tools. The careful study of details, the attention dedicated to design, the use of strong materials and the production of a simple but high-performance model are the features of a product entirely developed and manufactured in Italy.



### WOOD CUSTOM

Also available in the **SMART CONNECTED** version

Product code		
<b>POWER</b>	<b>Kw</b>	<b>4</b>
FREQUENCY	Hz	50
SUPPLY VOLTAGE	V	400
MAXIMUM NEGATIVE PRESSURE	mbar	30
MAXIMUM AIR FLOW RATE	m <sup>3</sup> /h	3000
INLET DIAMETER	ømm	160
NUMBER OF INLETS	n	1
CONTAINER CAPACITY	Lt	Continuous Discharging
SOUND PRESSURE LEVEL <small>(IEC 60704-2-1:200)</small>	dB(A)	71
DIMENSION	HxLxW cm	468*210*180
WEIGHT	Kg	1270
FILTER	-	18 Filter Sleeves Bag Class M
FILTER AREA	m <sup>2</sup>	7
TYPE OF CLEANING	-	Vibration

#### ACCESSORIES and OPTIONAL

Connection Kit (*fitting+clamps+tube*)

Start & stop

# FIRE FIGHTING SYSTEM

Our systems are **compliant with EN 54, NFPA 12; EN ISO 13849 and fully comply with the most stringent safety regulations of the Machinery Directive 2006/42/EC.** The system functions completely autonomously; when the control unit receives the alarm signal from one detector it electronically blocks the voltage and sends an optical/acoustic alarm signal; when the second detector also receives the alarm signal the control unit immediately starts the shutdown intervention from the CPD-EN12094-1 certified module.

For added safety in accordance with UNI EN, it is also equipped with manual activation and has an emergency battery power supply that covers mains power failure for up to 72 hours. Thanks to its powerful management microprocessor, the system detects and stores in its memory every fault or fire alarm, so that it is easy to understand what has led the control unit to command a shutdown or extinguishing agent discharge.

In addition, following a fire, our system is easily restored and does not require specialised technical intervention to restore or replace specific components.

The SENTINELLA® fire-fighting system in the filter will be controlled by calibratable temperature detectors placed on the outside of the filter and shielded from the filter by special sheaths; when the first detector goes into alarm, the optical/acoustic sensor (siren) will be activated, the power supply to the filter will be disconnected, and the automatic Co2 gas discharge command will be activated.

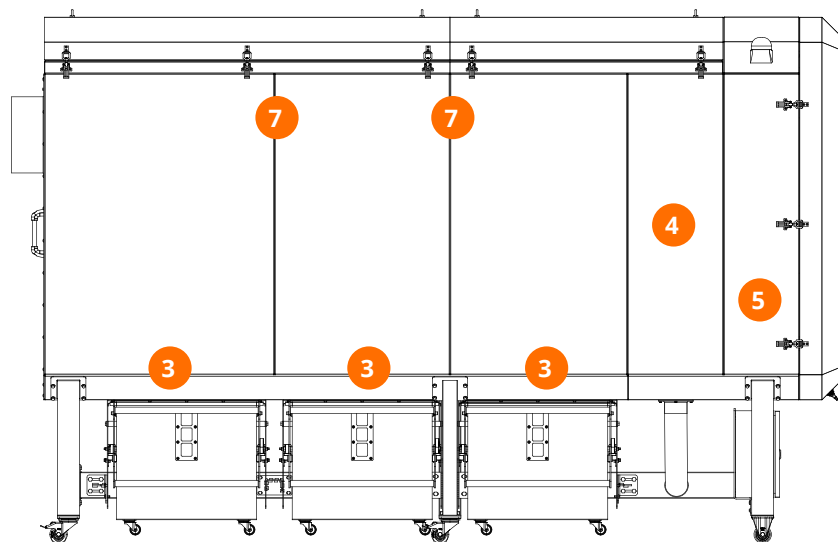
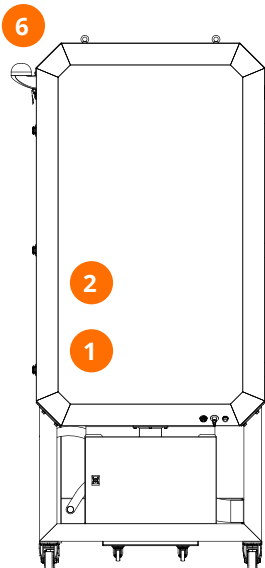
At the customer's discretion, it will be possible to activate the switch-off at the second consent with due analysis, the logic can also be modified later according to your needs.

The system will be complete with a manual unloading command button, siren and yellow flashing light to highlight any faults when and if they are present in the system.



## COMPONENTS

1. Extinguishing powder storage cylinder
2. Control centre and discharge command
3. Extinguishing system dispensing cones
4. Highly sensitive temperature sensors
5. Manual release button
6. Optical/acoustic alarm sensor
7. UV/IR flame detector



Wood 330 and 495

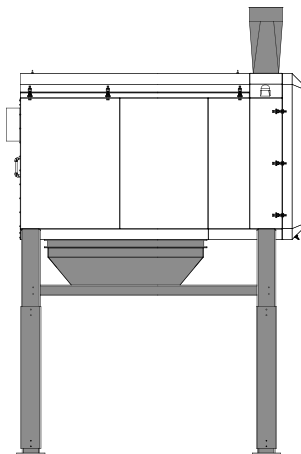
# BRIQUETTE PRESS



**Briquetting\*** is the **pressing and subsequent** reduction of material into compact shapes called briquettes. Briquetting machines are capable of operating on machining swarf of various kinds. The treatment of machining swarf fully meets the requirements of material recycling, improving the operating conditions and cleanliness of the working environment, and facilitating handling and storage.

dm3/h INPUT PRODUCTIVITY + 50%	TON	KW	VOLT	BRICK mm
100	22	3	380	65
150	22	4	380	65
80	22	3	380	55
60	22	4	380	45
100	22	4	380	55

## Briquetting press for Wood 330 line



### FEATURES BRIQUETTING PRESS TO BE INTEGRATED\*

- Briquette size Ø40-Ø50 mm
- Material to be processed 40-50 kg/h
- Material wood chips
- Max. material humidity ≤30%
- Estimated apparent material density of 250 kg/m<sup>3</sup>
- Maximum chip chamber depression 70 mbar

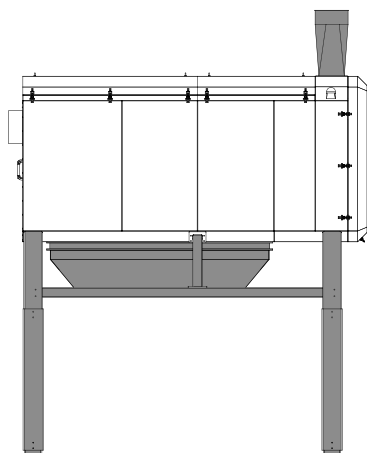
Briquetting machine	
Type	Flow capacity lt/speed
40	33

Flow capacity in litres at each 360° rotation, useful if chain drive or separate from the valve body is planned

Tipología			
Type	RPM	lt/min	kW inst
40	18	594	1,5
	24	792	2,2
	29	990	3

Flow rates according to our standard engines, expressed in litres per minute

## Briquetting press for Wood 495 line



### FEATURES BRIQUETTING PRESS TO BE INTEGRATED\*

- Briquette size Ø50-Ø70 mm
- Material to be processed 50-70 kg/h
- Material wood chips
- Max. material humidity ≤30%
- Estimated apparent material density of 250 kg/m<sup>3</sup>
- Maximum chip chamber depression 70 mbar

Briquetting machine	
Type	Flow capacity lt/speed
70	55

Flow capacity in litres at each 360° rotation, useful if chain drive or otherwise separate from the valve body is planned.

Tipología			
Type	RPM	lt/min	kW inst
70	18	990	2,2
	24	1320	2,2

Flow rates according to our standard engines, expressed in litres per minute