



# *orteguil (u.k.) Ltd.*

P.O. BOX 2 • Disley • Cheshire • SK12 2NN • England

Tel: 01663 762187 Fax: 01663 766721 E-mail: info@orteguil.com www.orteguil.com

## OPERATING INSTRUCTIONS FOR ORC 80

**WARNING. THE BLADES ARE VERY SHARP, TAKE CARE AT ALL TIMES.**

As soon as you have unpacked the machine fit the Perspex guards supplied.

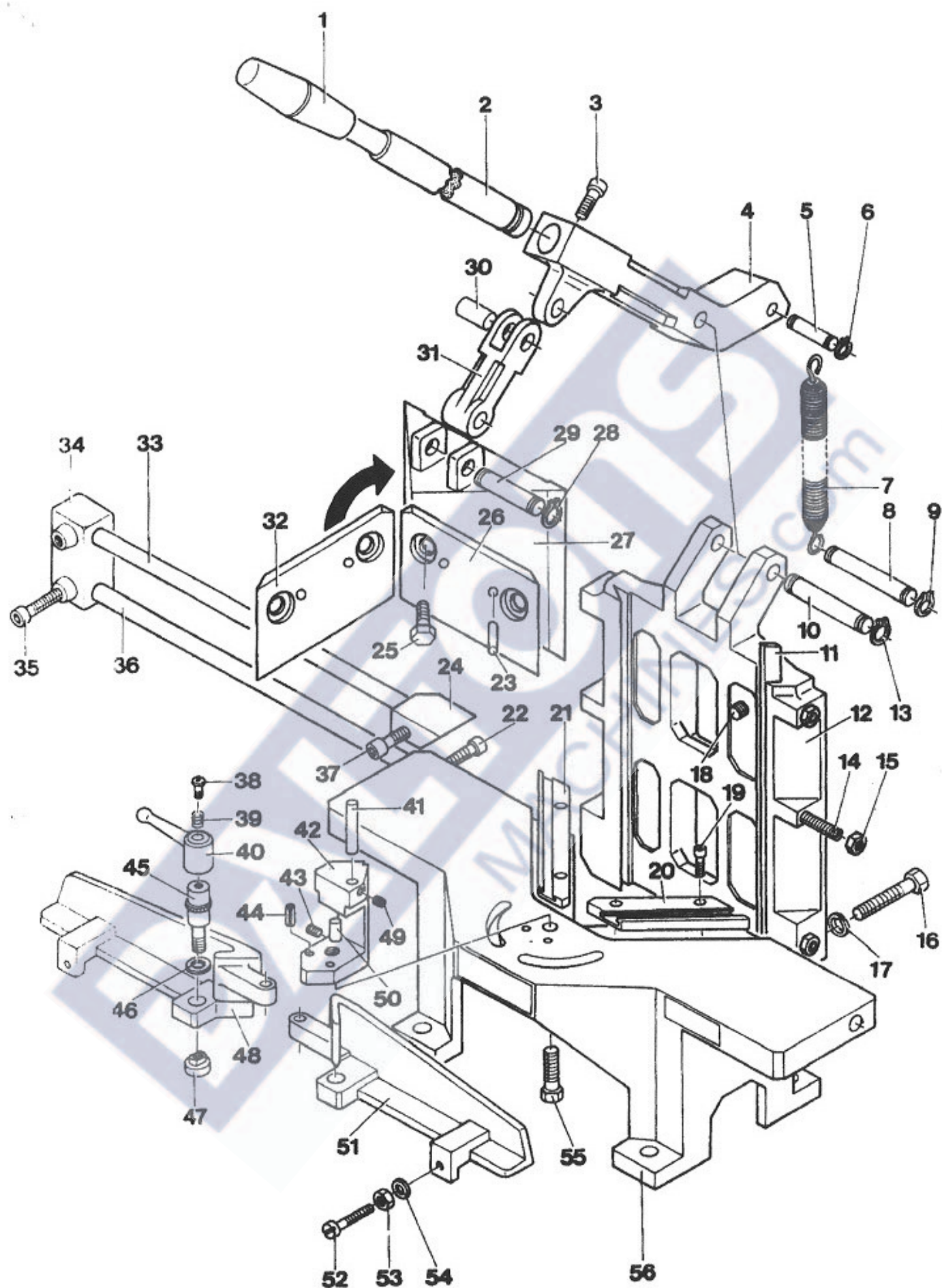
**SETTING UP.** As the machine is set and oiled at the factory you only need to insert the handle into casting no. 4 and lock it in with the allen screw. Do not over tighten. Now that the handle is fitted release the bolt no. 18 in the back of the machine and the ORC 80 is ready for use.

Initially the machine will feel a little stiff but this will soon wear off.

**LENGTH STOP ASSEMBLY.** This is supplied with the machine and can be fitted and locked into the rear lower edge of the table on the left or right hand side to suit the operator. The assembly is telescopic and will extend to 40"

**CAPACITY.** As a trimmer wood upto appx 3" x 2" flat or 6" x 1" on edge can be trimmed at 45 degrees and 90 degrees. Dependant on the wood and the strength of the operator the machine will also cut two mitres (at 45 degrees only) in the middle of a length of timber with one press of the handle. If too much effort is used it will slightly tear the wood fibres but a further thin cut will give a perfect finish.

**CHANGING BLADES.** Be very careful, even blades you think need sharpening are still sharp enough to cut you. Push the handle up and using a spanner, screw bolt no. 18 in the back of the machine until it locks the cutterblock in the up position. Using the allen key provided remove the bolts in the left hand blade. Carefully remove the blade and replace it with the newblade and replace the bolts. Tighten the bolts whilst holding the blade upto the right hand one. In the same way change the right hand one making sure the blades are level at their lowest point.



CONSTRUCCIONES MECANICAS

*orteguil*

Lista de recambios Cizalla Ingletadora Mod. OR-C-80  
 Liste de Pièces détachées Cisaille Coupe d'angle Modèle OR-C-80  
 Spare-parts List-Mitre-Cutting Machine Type OR-C-80  
 Ersatzteilliste-Gehrungs Winkel-Schnittmaschine Type OR-C-80