



## A European Formula

### Bandsaws

Cast iron work table and band wheels running on sealed for life bearings, with a solid welded steel frame, top and bottom GL precision guides, braked motor, key operated starter and latched mushroom foot stop make for a safe and accurate bandsaw.

	SN 400	SN 600
Work table dimensions	500 x 450mm	620 x 890mm
Dia of cast iron saw wheels	400mm	600mm
Max height under guide	280mm	370mm
Max throat capacity	390mm	585mm
Tilt of work table	20 degrees	20 degrees
Table height from floor	850mm	900mm
Min/max saw blade length	3460/3520mm	4530/4630mm
Min/max saw blade width	6/25 mm	10/35 mm
Three phase braked motor	1.5kW (2 HP) 50Hz	2.2kW (3 HP) 50Hz



### Routers

A versatile manual router with foot operated pneumatic plunge, tilting head and table extensions for larger work pieces. Each machine is equipped with 6, 9.5, and 12.7mm collets.

	PT 600i	PT 800i
Rise and fall table	1150 x 1080mm	1150 x 1080mm
Two speeds	9000 and 18000rpm	9000 and 18000rpm
Tilt head	+/- 45 degrees	+/- 45 degrees
Throat capacity	600mm	800mm
Vertical stroke of head	80mm	80mm
Vertical stroke of table	150mm	150mm
Max distance spindle to table	195mm	195mm
Motor power	1.5/2.2kW (2/3HP)	2/2.3kW (3/4HP)





## Crosscut Saws

A robust machine with cast iron arm, braked motor, complete with blade guard and anti-noise system. No less than 8 carriage bearings make this machine easy to use all day every day.

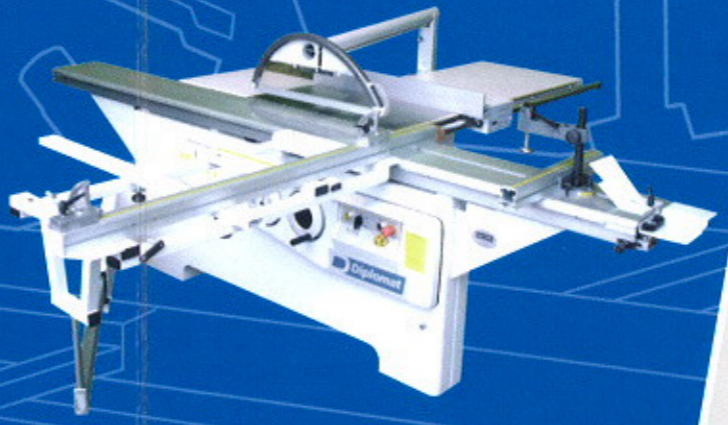
	RT350
Crosscut capacity	630mm
Blade diameter	350mm (2800rpm)
Crosscut capacity at 45 degrees	420mm
Depth of cut	100mm
Depth of cut at 45 degrees	60mm
Motor power	3kW (4HP)



## Panel Saws

An independent scoring unit, deluxe overhead crown guard, mitre fence with clamp all come as standard. Electronic powered movement to the rise, fall and tilt is also available in the Galax version.

	TM 1.6	TMX	Galax
Maximum panel size	1600 x 1600mm	3150 x 3150mm	3200 x 3200mm
Sliding table size	340 x 1600mm	340 x 3200mm	420 x 3200mm
Length of cut with sliding table	1600mm	3200mm	3200mm
Distance saw to stop on crosscut	1250mm	3200mm	3200mm
Max distance saw to fence	1500mm	1500mm	1500mm
Max diameter sawblade	350mm	350mm	400mm
Max main saw projection	120mm	120mm (85mm at 45°)	128mm (90mm at 45°)
Main spindle speeds	3000, 4000, 5000rpm	3000, 4000, 5000rpm	3200, 4000, 5000rpm
Main spindle motor	5.5kW (7.5HP)	5.5kW (7.5HP)	5.5kW (7.5HP)



## Thicknessers

Featuring power rise and fall on four screws with digital readout, sectional infeed feed roller, two top outfeed rollers, two bed rollers and a cast iron table for optimum accuracy and machine life.

	PS 530	PS 630
Capacity	530 x 300mm	630 x 300mm
Feed speeds	7-11-15-19m/min	7-11-15-19m/min
Cutterblock speed	5000rpm	5000rpm
Max stock removal	7mm	7mm
Cutting circle diameter	120mm	120mm
Motor power	5.5kW (7.5HP)	5.5kW (7.5HP)



## Planer/Thicknessers

A choice of working widths, cast iron tables and fence, power rise and fall with digital readout, and fast set up of the surfacing tables make this machine ideal for general workshop use.

	FS 410	FS 515
Top tables	2040 x 410mm	2130 x 515mm
Thicknessing capacity	410 x 225mm	500 x 230mm
4 feed speeds	5-8-11-14m/min	5-8-11-14m/min
Cutterblock speed	5000rpm	5000rpm
Max stock removal	7mm	7mm
Cutting circle diameter	110mm	110mm
Motor power	4kW (5.5HP)	5.5kW (7.5HP)

## Surface Planers

Elevated start and stop controls for easy access, long cast iron infeed and outfeed tables and fence with a choice of working widths, ideal for large work pieces.

	DT 430	DT 530
Surfacing capacity	2500 x 430mm	2900 x 530mm
Infeed table	1380 x 450mm	1600 x 550mm
Outfeed table	1120 x 430mm	1300 x 530mm
Cutterblock speed	5000rpm	5000rpm
Max stock removal	7mm	7mm
Cutting circle diameter	120mm	120mm
Motor power	4kW (5.5HP)	5.5kW (7.5HP)



## Wide Belt Sanders

Simple to use with power rise and fall electronic digital readout, panel thickness sensor for quick set up, and automatic tracking of the feed conveyor and sanding belt. Available in a variety of head configurations with up to three sanding belts.

Options include segmented pad, infinitely variable feed and sanding speeds, belt cleaners and rotating brushes for laminates.

	SPB 630c	SPB 910c	SPB 1100c
Head config.	Roller/pad	Roller/pad	Roller/pad
Working width	630mm	910mm	1100mm
Working height	160mm	160mm	160mm
Feed speed	4.5 and 9m/min	4.5 and 9m/min	4.5 and 9m/min
Belt dimensions	650 x 1900	930 x 1900	1120 x 1900
Motor power	7.5kW (10HP)	11kW (15HP)	11kW (15HP)



All machines sourced from leading EUROPEAN manufacturers.

Sales and Marketing by:

# DALTONS

WOODWORKING MACHINES WORLDWIDE

A L Dalton Ltd, Crossgate Drive, Queen's Drive Industrial Estate, Nottingham NG2 1LW

Telephone: +44(0)115 986 5201 Fax: +44(0)115 986 2820

Email: [sales@daltonswmw.co.uk](mailto:sales@daltonswmw.co.uk) [www.daltonswmw.co.uk](http://www.daltonswmw.co.uk)

The company has a policy of continuous product development and improvement, specifications are therefore subject to change without notice. The company accepts no liability for discrepancies in specifications or illustrations contained in its publications.